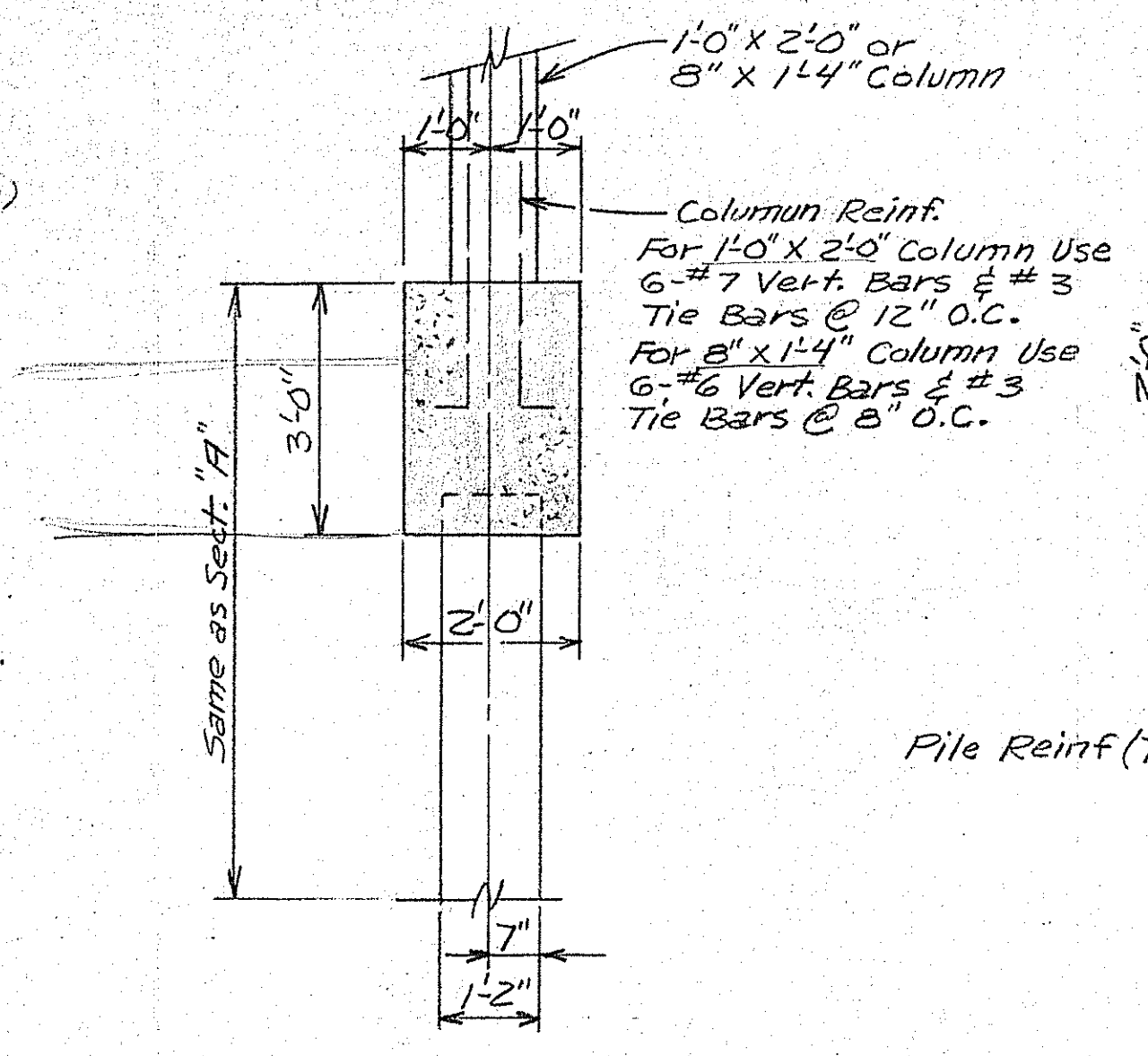


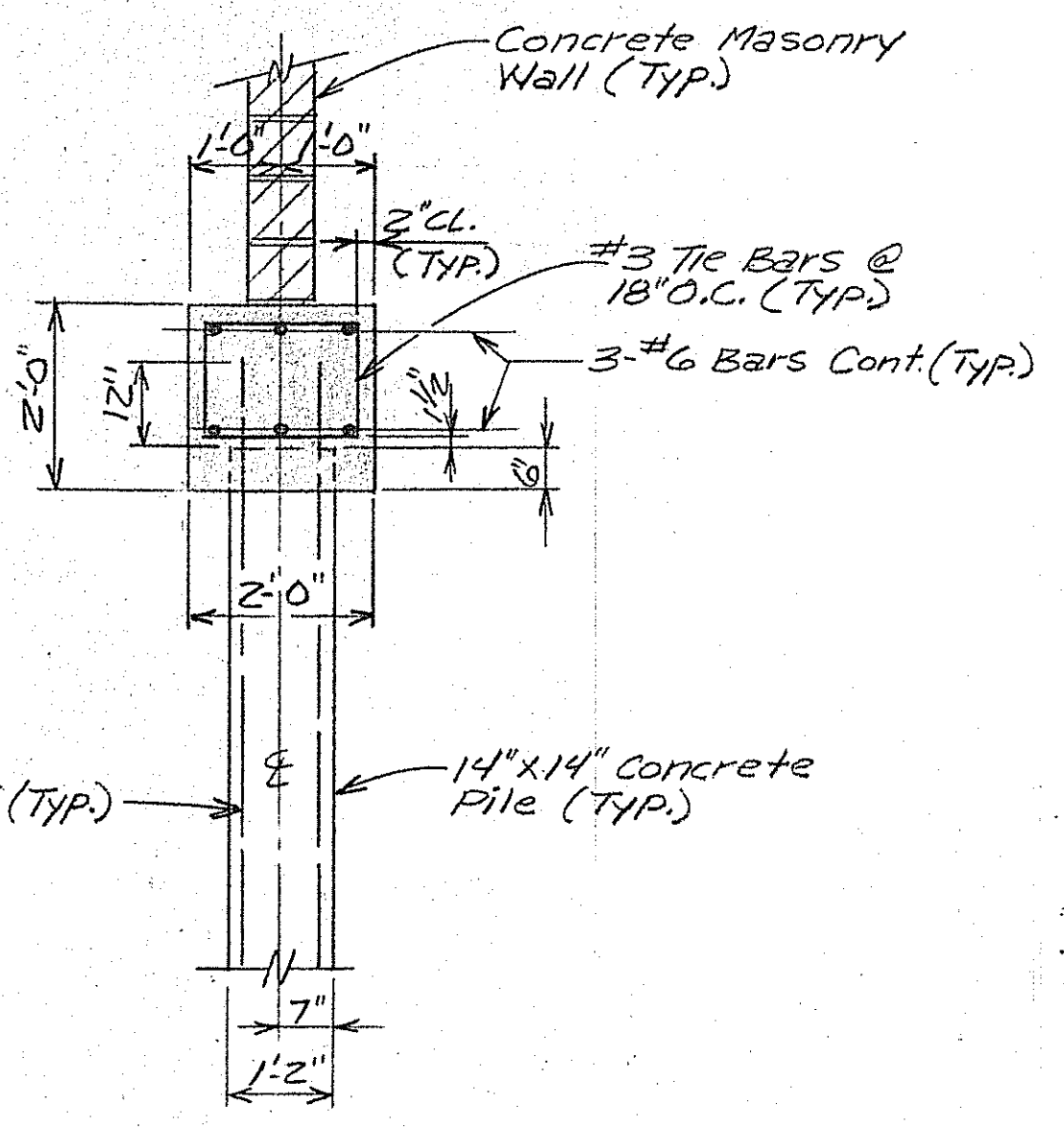
SECTION "A"

(Typical 2'-0" x 3'-0" Grade Beams)

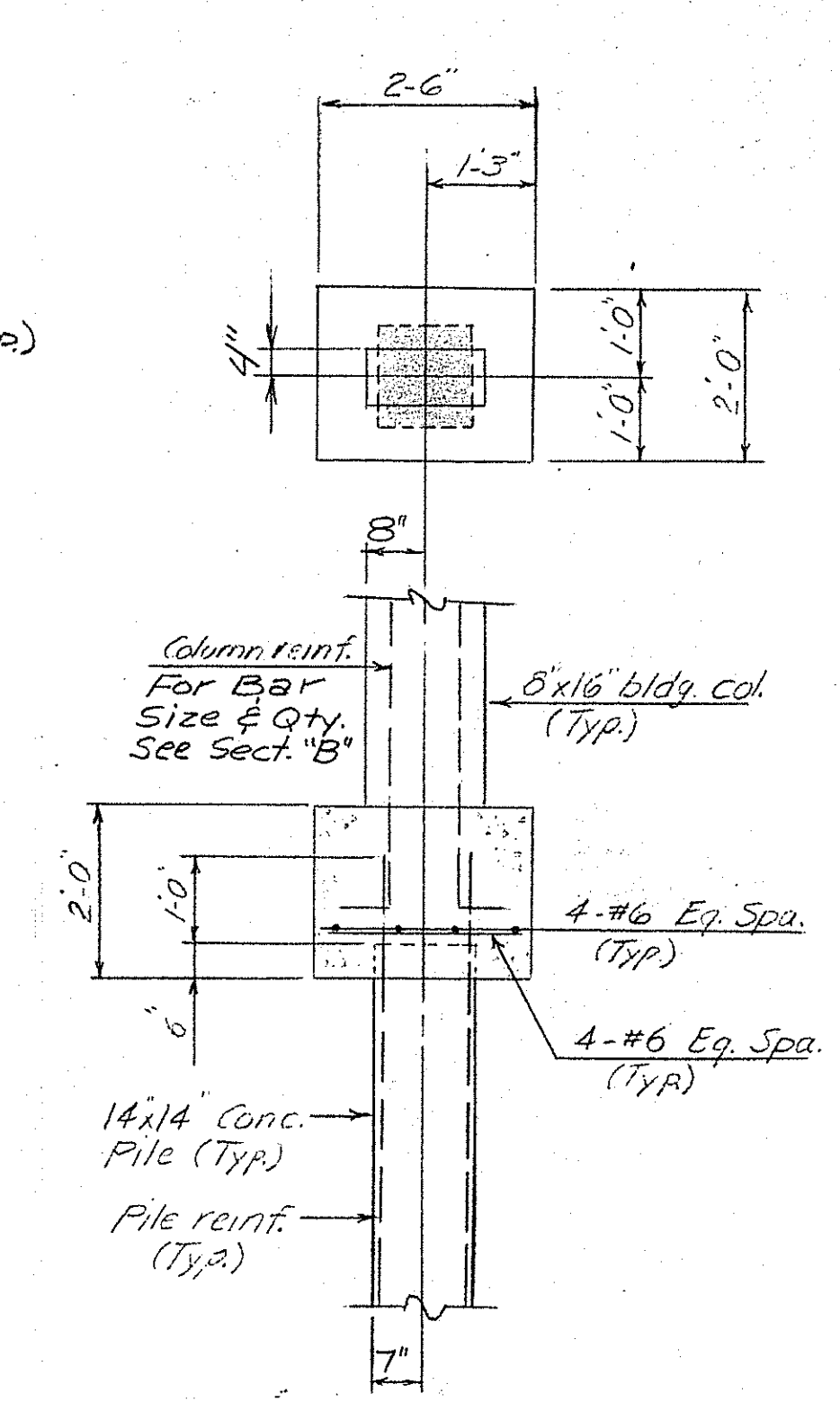


SECTION "B"

(Typical 2'-0" x 2'-0" Grade Beam)



SECTION "C"



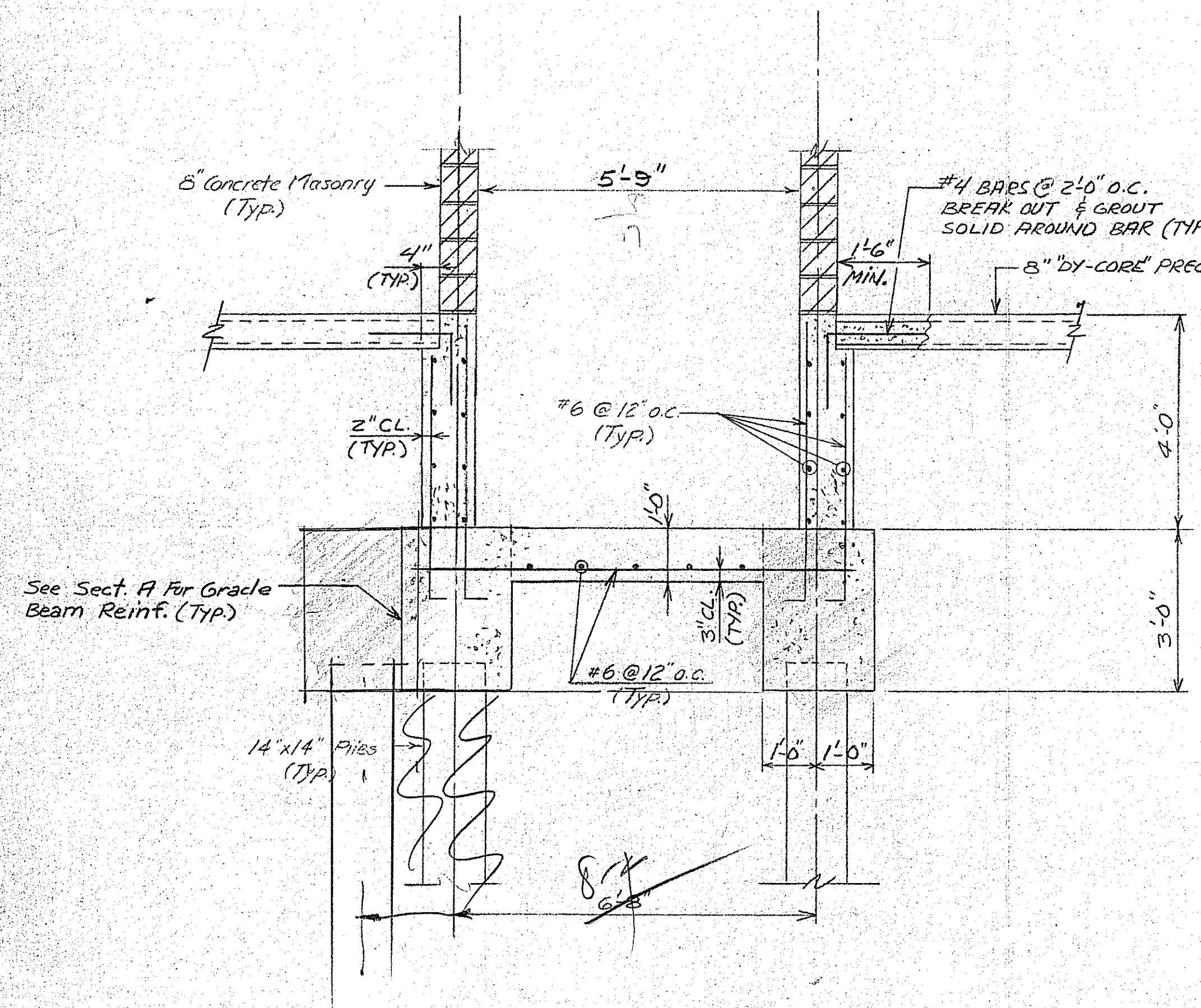
SECTION "D"

NOTES:

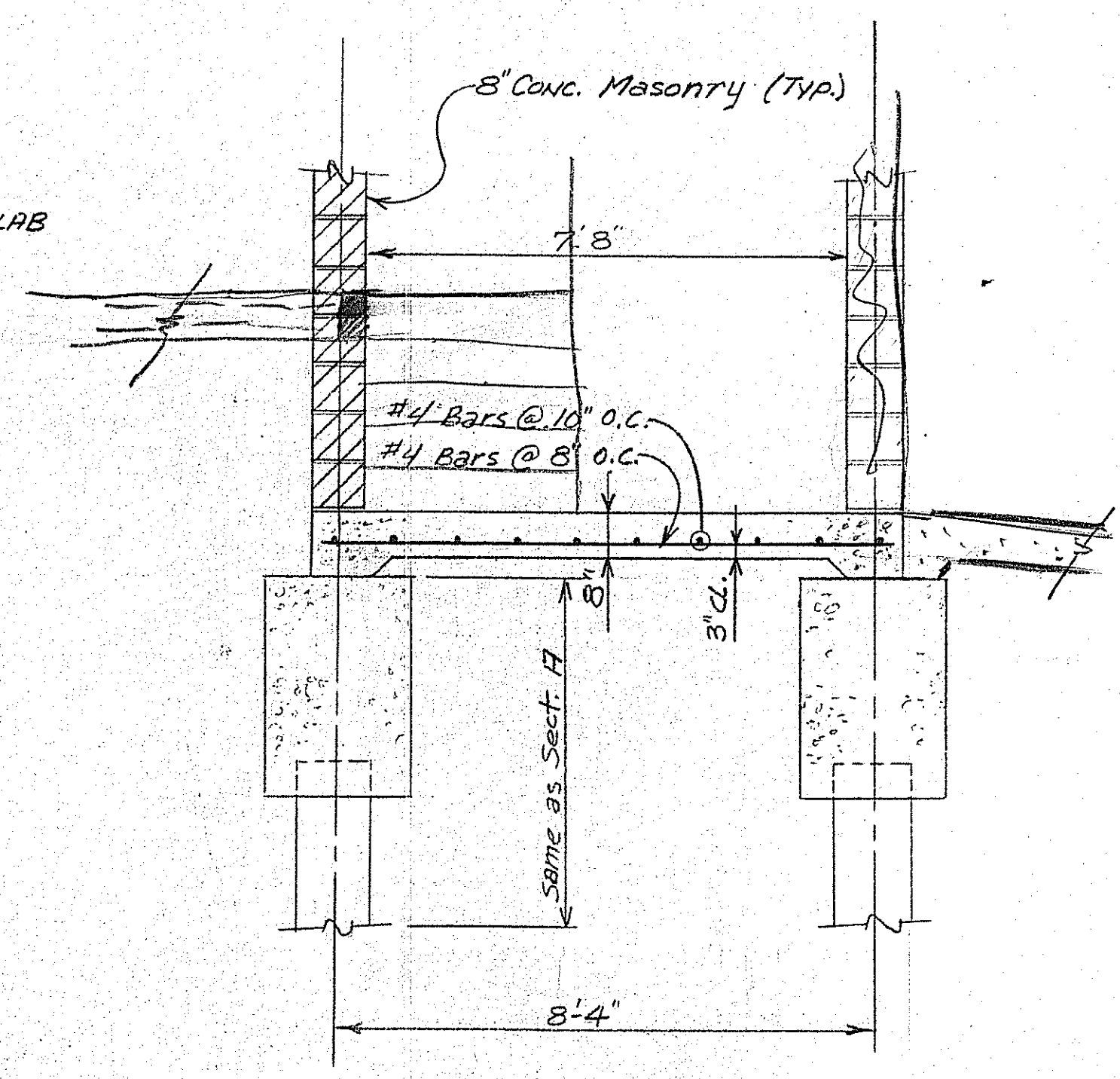
- 1) Unless otherwise noted, all concrete shall have a minimum compressive strength of 4000 PSI at 28 days.
- 2) Concrete for floor slab shall have a minimum flexural strength of 650 PSI at 28 days.
- 3) Reinforcing shall conform to the requirements of ASTM A615, Grade 60. Welded wire fabric shall be in accordance with ASTM A155.
- 4) Unless otherwise noted, laps, splices, or embedment lengths shall conform to tables 2-9D to 2-9H, ACI 315-74 Class B splice.
- 5) Unless otherwise noted concrete cover over steel reinforcement shall conform to the minimums required by para. 7.7 of ACI 318-77.
- 6) Construction joints in structural pile cap beam must be placed near center of span (for cont. construction) and at 60 ft. o.c. each way (Max).
- 7) Piles safe load bearing capacity and length as per Ardama and Associates, INC. (allow. load on piles = 30 Tons, length = 70 ft.±)
- 8) Concrete Block Shall Have Compressive Strength of 1700-2000 psi.
- 9) Mortar for Concrete Block Wall shall be Type M.
- 10) Buildings are Designed in Accordance With Reinforced Masonry Design Criteria and in Accordance With ANSI A 41.2.

LEGENDS:

- 14"x14" reinf. concrete pile
- Building Columns (5"x16", 12"x24")



SECTION "E"



SECTION "F"

Ronald D. Hart